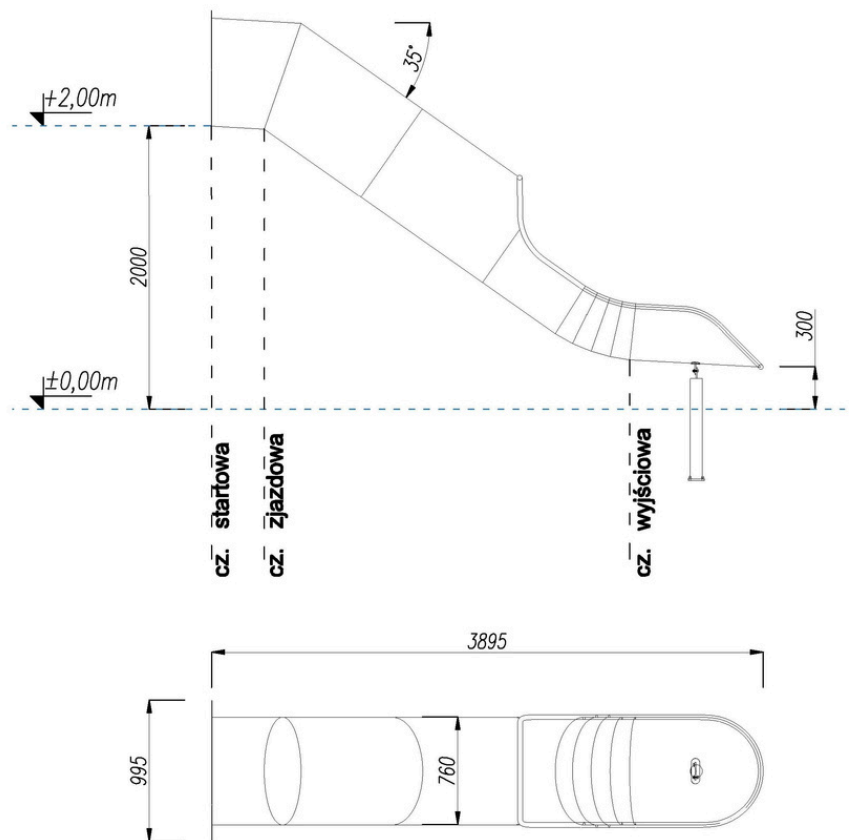




Straight Tunnel Slides DEINOX RRP-35 H2000

- Made of stainless steel AISI 304.
- Structure designed to be mounted to a tower/platform.
- On request it can be adapted for installation on an embankment.
- Recommended mounting height 1.75m – 2.0m.
- The inner surface of the slide is entirely an usable area.
- The slide has been designed in accordance with the EN 1176-3:2017-12 standard.
- 5-year warranty.

| | |
|--|---------|
| H - Effective height | 2,00 m |
| D - Effective diameter of slide | 0,76 m |
| L - Effective length | 4,375 m |
| Length of the starting section | 0,375 m |
| Length of the sliding section | 3,070 m |
| Length of the exit section | 0,930 m |
| Type of exit section according to EN 1176-3:2017-12 | Type 2 |
| Max slope of descent | 35° |



Design by DEINOX. Copying and distributing the content of the project or any part of it without the author's written consent is prohibited.