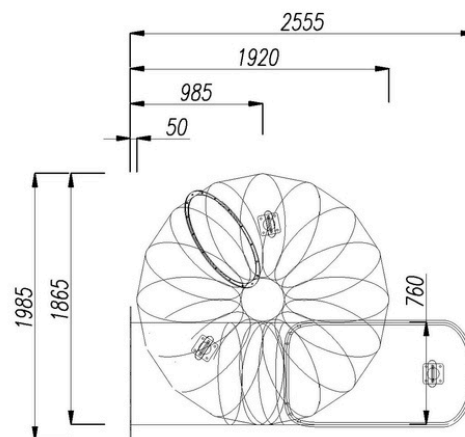
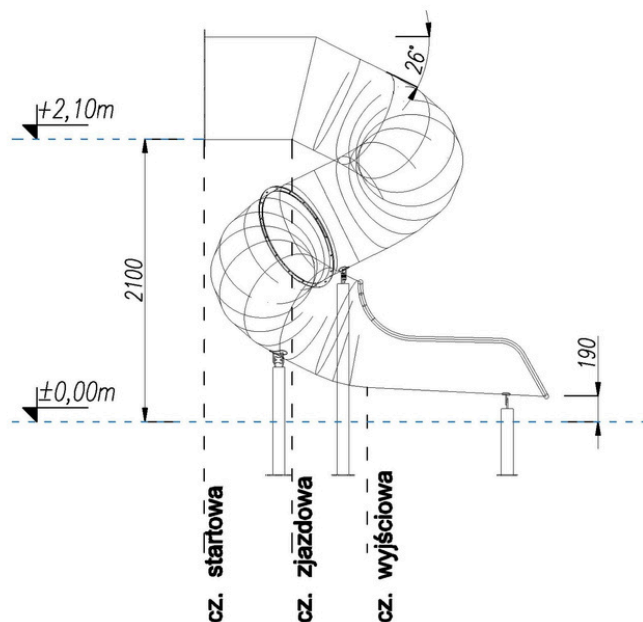




Spiral Tunnel Slides

DEINOX RRS-26-550-360 H2100

- Made of stainless steel AISI 304.
- Structure designed to be mounted to a tower/platform.
- Recommended mounting height 1.96m - 2.21m.
- The inner surface of the slide is entirely an usable area.
- The slide has been designed in accordance with the EN 1176-3:2017-12 standard.
- 5-year warranty.



H - Effective height	2,10 m
D - Effective diameter of slide	0,76 m
L - Effective length	6,410 m
Length of the starting section	0,655 m
Length of the sliding section	4,425 m
Length of the exit section	1,330 m
Type of exit section according to EN 1176-3:2017-12	Type 2
Max slope of descent	26°

Design by DEINOX. Copying and distributing the content of the project or any part of it without the author's written consent is prohibited.