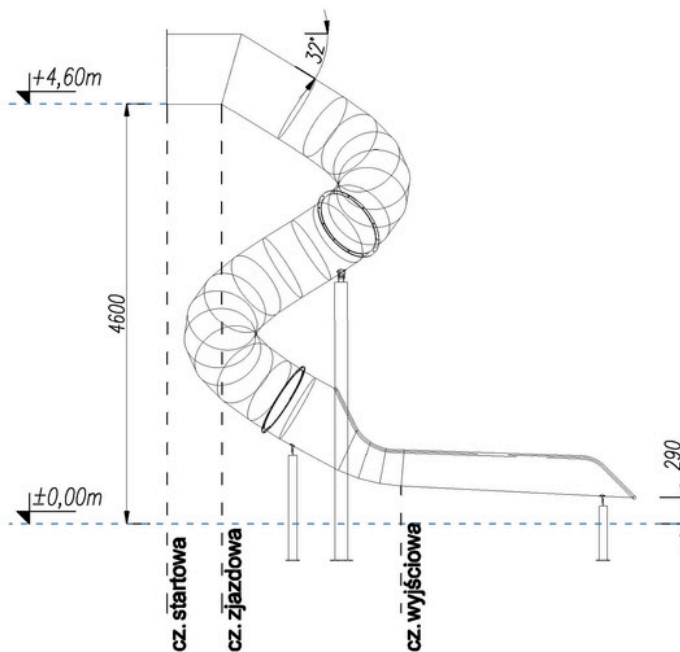
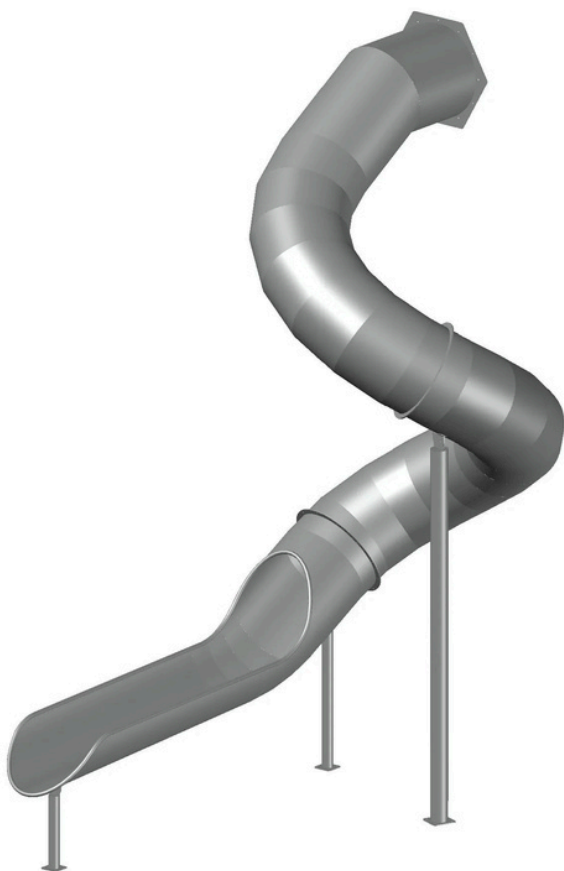


## Spiral Tunnel Slides

### DEINOX RRS-32-850-360 H4600

- Made of stainless steel AISI 304.
- Structure designed to be mounted to a tower/platform.
- Recommended mounting height 4.36m - 4.61m.
- The inner surface of the slide is entirely an usable area.
- The slide has been designed in accordance with the EN 1176-3:2017-12 standard.
- 5-year warranty.



|                                                            |          |
|------------------------------------------------------------|----------|
| <b>H - Effective height</b>                                | 4,60 m   |
| <b>D - Effective diameter of slide</b>                     | 0,77 m   |
| <b>L - Effective length</b>                                | 11,588 m |
| Length of the starting section                             | 0,600 m  |
| Length of the sliding section                              | 8,438 m  |
| Length of the exit section                                 | 2,550 m  |
| <b>Type of exit section according to EN 1176-3:2017-12</b> | Type 2   |
| <b>Max slope of descent</b>                                | 32°      |

Design by DEINOX. Copying and distributing the content of the project or any part of it without the author's written consent is prohibited.